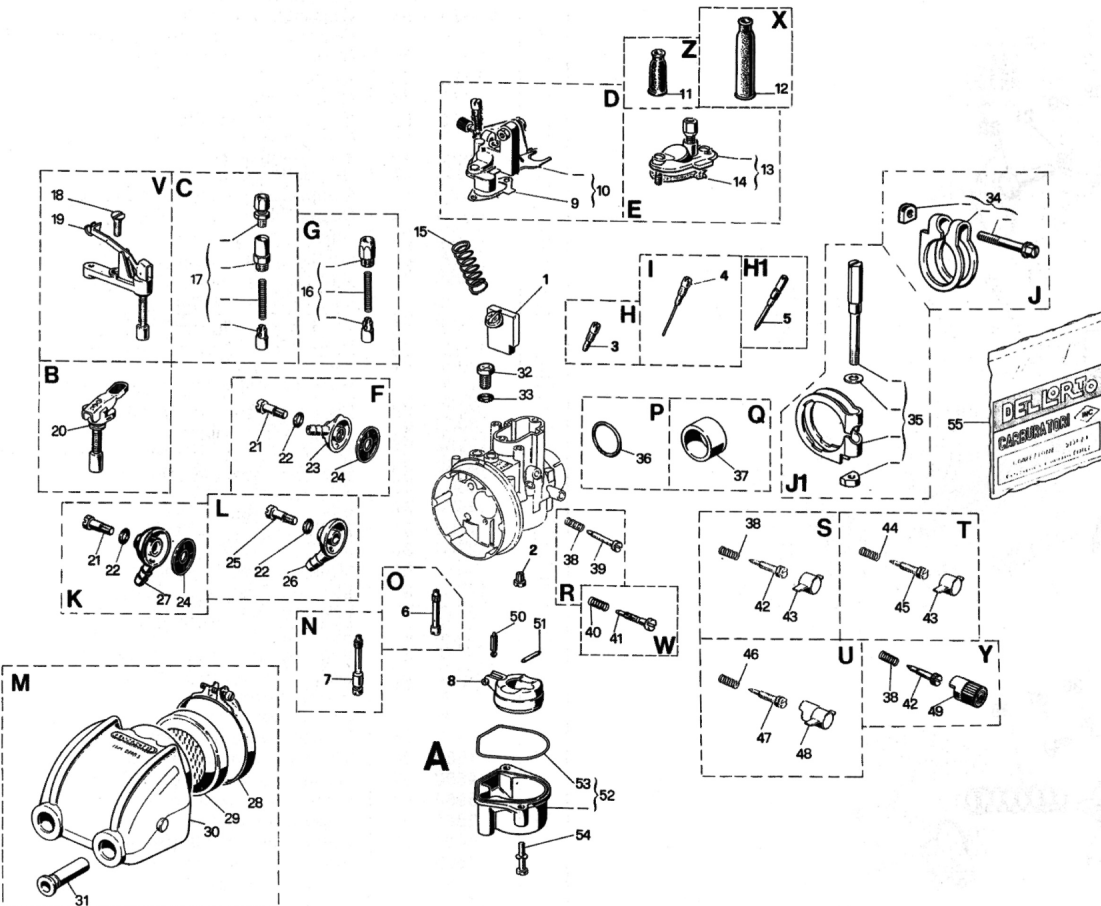


A00866 - 866 CARB. SHBC 19 19E

CARBURETOR SPARE PARTS FILE



N°	Part Number	Description	Qty
0	A00866	866 CARB. SHBC 19 19E	1
1	B10569.001	10569 SLIDE 1	1
2	B01486.073	1486 PILOT JET 73	1
3	B03360.045	3360 JET 45	1
6	B06217.060	6217 JET 60	1
8	B06122.002	6122 FLOAT 2 gr. 3,5	1
15	B05951	5951 SPRING	1
17	B53005	53005 LEVER STARTER KIT PHBN-SHBC	1
21	B04568	4568 SCREW	1
23	B10919	10919 BANJO	1
24	B06109	6109 FUEL FILTER	1
35	B53021	53021 CLAMP KIT Ø 37 SHBC	1
38	B03606	3606 SPRING	1
40	B02638	2638 SPRING	1
42	B03357	3357 SCREW	1
43	B11221	11221 KNOB	1
50	B02838	2838 FUEL BLANKING NEEDLE	1
51	B04560	4560 PIN	1
52	B13502	13502 BOWL	1
54	B11837	11837 SCREW	2
55	B52553	52553 GASKET KIT SHBC 18...B-19...B-E-20...D-E-L	1