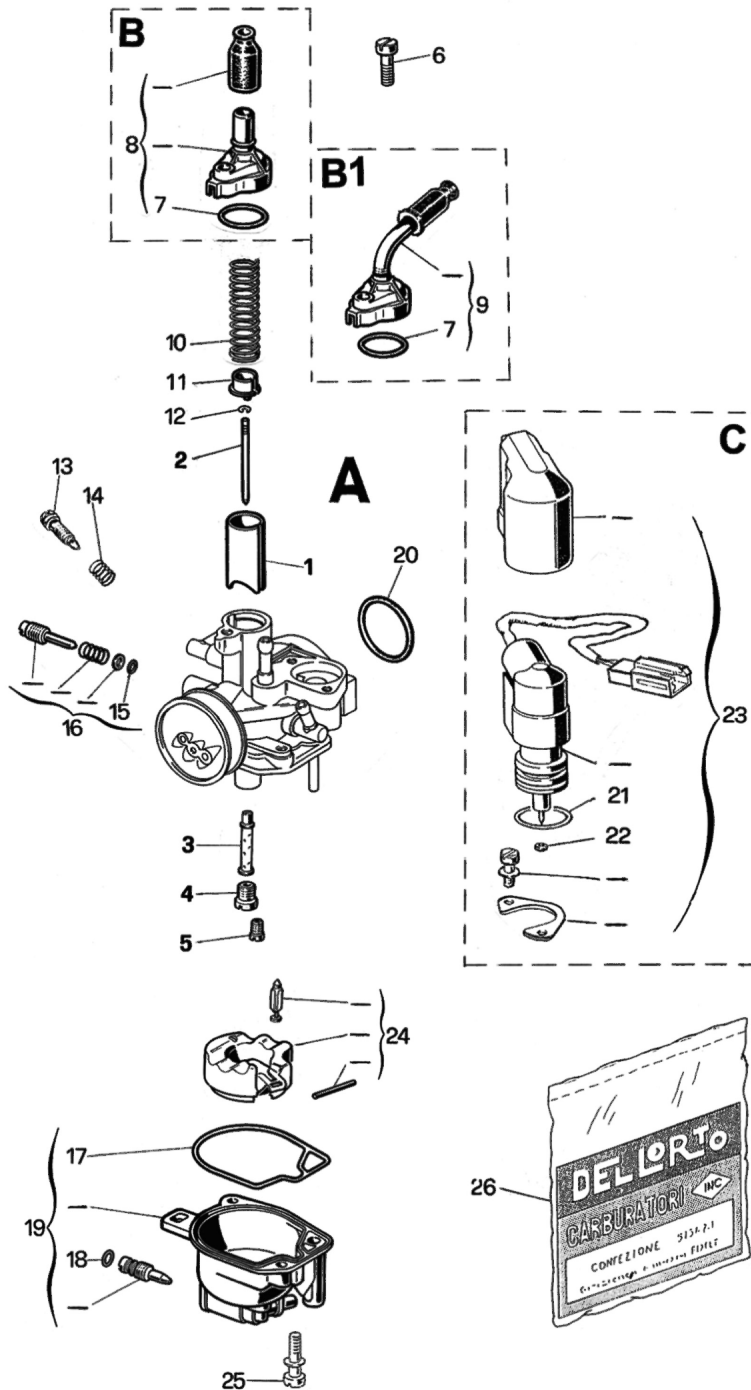


A01373 - 1373 CARB. PHVA 12 FS

CARBURETOR SPARE PARTS FILE



N°	Part Number	Description	Qty
0	A01373	1373 CARB. PHVA 12 FS	1
1	B15166.040	15166 SLIDE 40	1
2	B13680.027	13680 CONICAL NEEDLE A 27	1
3	B15192.209	15192 NEEDLE JET GN 209	1
4	B06413.070	6413 MAIN JET 70	1
5	B11600.035	11600 JET 35	1
6	B07526	7526 SCREW	1
7	B52625	52625 GASKET KIT PHVA...	1
8	B15162	15162 FUEL MIXING CHAMBER COVER	1
10	B15386	15386 SPRING	1
11	B13687	13687 CLIP	1
12	B13681	13681 CLIP	1
13	B14056	14056 SCREW	1
15	B52625	52625 GASKET KIT PHVA...	1
16	B53086	53086 SLIDE SCREW KIT	1
17	B52625	52625 GASKET KIT PHVA...	1
18	B52625	52625 GASKET KIT PHVA...	1
19	B15422	15422 BOWL	1
20	B52625	52625 GASKET KIT PHVA...	1
21	B52625	52625 GASKET KIT PHVA...	1
22	B52625	52625 GASKET KIT PHVA...	1
23	B53082	53082 AUTOMATIC CHOKE KIT PHVA HONDA	1
24	B53053	53053 FLOAT KIT PHVA-PHBN	1
25	B13709	13709 SCREW	2
26	B52625	52625 GASKET KIT PHVA...	1