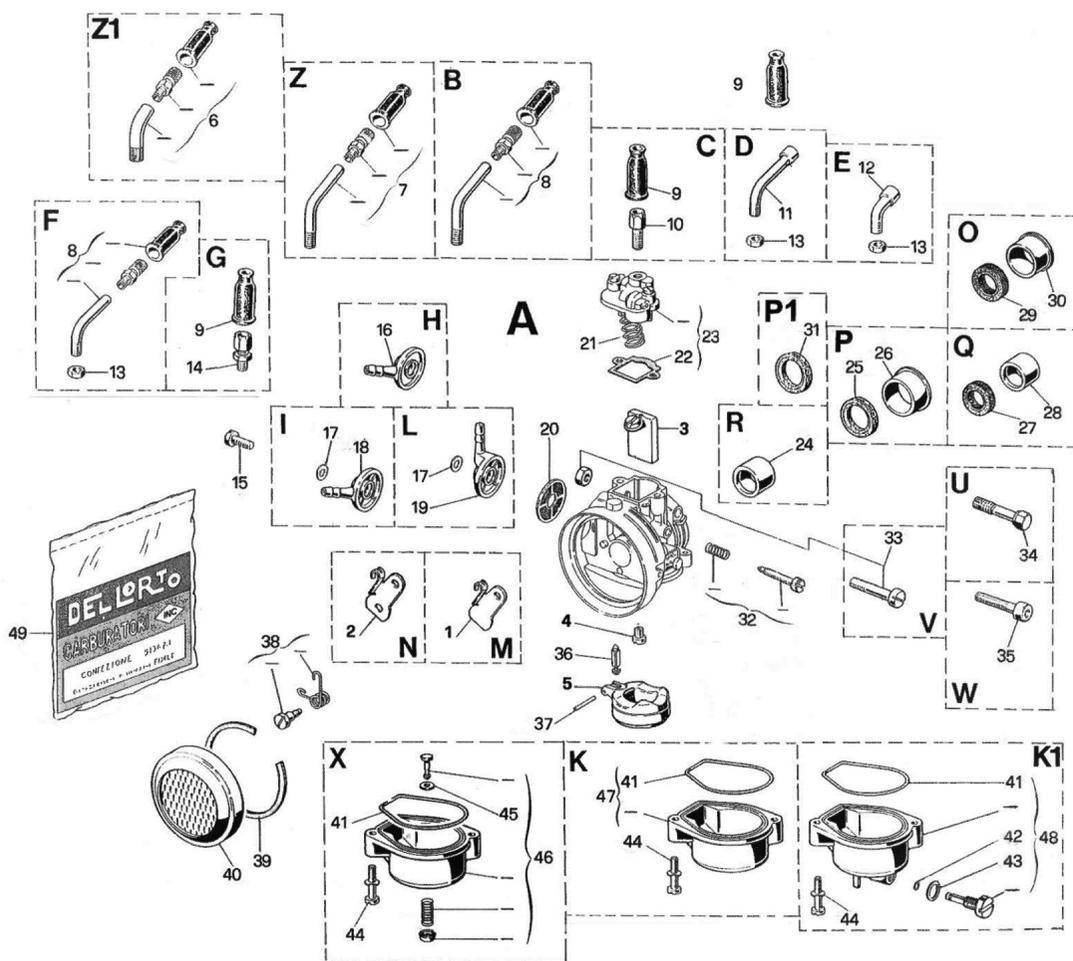


# A02045 - 2045 CARB. SHA 15 15 C

## CARBURETOR SPARE PARTS FILE



N°	Part Number	Description	Qty
0	<b>A02045</b>	2045 CARB. SHA 15 15 C	1
1	<b>B10148.050</b>	10148 AIR VALVE 50	1
3	<b>B06108.012</b>	6108 SLIDE 12	1
4	<b>B01486.068</b>	1486 PILOT JET 68	1
5	<b>B06122.002</b>	6122 FLOAT 2 gr. 3,5	1
8	<b>B53036</b>	53036 ELBOW KIT 90° PHBG-PHF-PHM-SHA 14...-15...-16...	1
9	<b>B01476</b>	1476 CAP	2
13	<b>B01691</b>	1691 NUT	1
15	<b>B04190</b>	4190 SCREW	1
17	<b>B52579</b>	52579 GASKET KIT SHA 14...C-H-L-N-P-R-S-15...N-C-G-16...C-G	1
19	<b>B06475</b>	6475 BANJO	1
20	<b>B06109</b>	6109 FUEL FILTER	1
22	<b>B52579</b>	52579 GASKET KIT SHA 14...C-H-L-N-P-R-S-15...N-C-G-16...C-G	1
23	<b>B09604</b>	9604 SLIDE COVER	1
24	<b>B10146</b>	10146 INSULATING ADAPTER	1
25	<b>B52579</b>	52579 GASKET KIT SHA 14...C-H-L-N-P-R-S-15...N-C-G-16...C-G	1
27	<b>B52579</b>	52579 GASKET KIT SHA 14...C-H-L-N-P-R-S-15...N-C-G-16...C-G	1
29	<b>B52579</b>	52579 GASKET KIT SHA 14...C-H-L-N-P-R-S-15...N-C-G-16...C-G	1
31	<b>B52579</b>	52579 GASKET KIT SHA 14...C-H-L-N-P-R-S-15...N-C-G-16...C-G	1
32	<b>B53030</b>	53030 SCREW KIT for SLIDE REG. SHA 10...-12...-13...-14...-1	1
33	<b>B53049</b>	53049 RUBBER SCREW KIT SHA 14-15-16	1
36	<b>B02838</b>	2838 FUEL BLANKING NEEDLE	1
37	<b>B08773</b>	8773 PIN	1
38	<b>B53045</b>	53045 AIR VALVE PIN KIT SHA 14-L-N-R-C-SS...H-15-C-	1
39	<b>B52579</b>	52579 GASKET KIT SHA 14...C-H-L-N-P-R-S-15...N-C-G-16...C-G	1
40	<b>B06117</b>	6117 FILTER GAUZE	1
41	<b>B52579</b>	52579 GASKET KIT SHA 14...C-H-L-N-P-R-S-15...N-C-G-16...C-G	1
42	<b>B52579</b>	52579 GASKET KIT SHA 14...C-H-L-N-P-R-S-15...N-C-G-16...C-G	1
43	<b>B52579</b>	52579 GASKET KIT SHA 14...C-H-L-N-P-R-S-15...N-C-G-16...C-G	1
44	<b>B11837</b>	11837 SCREW	2
45	<b>B52579</b>	52579 GASKET KIT SHA 14...C-H-L-N-P-R-S-15...N-C-G-16...C-G	1
47	<b>B13412</b>	13412 BOWL	1
49	<b>B52579</b>	52579 GASKET KIT SHA 14...C-H-L-N-P-R-S-15...N-C-G-16...C-G	1