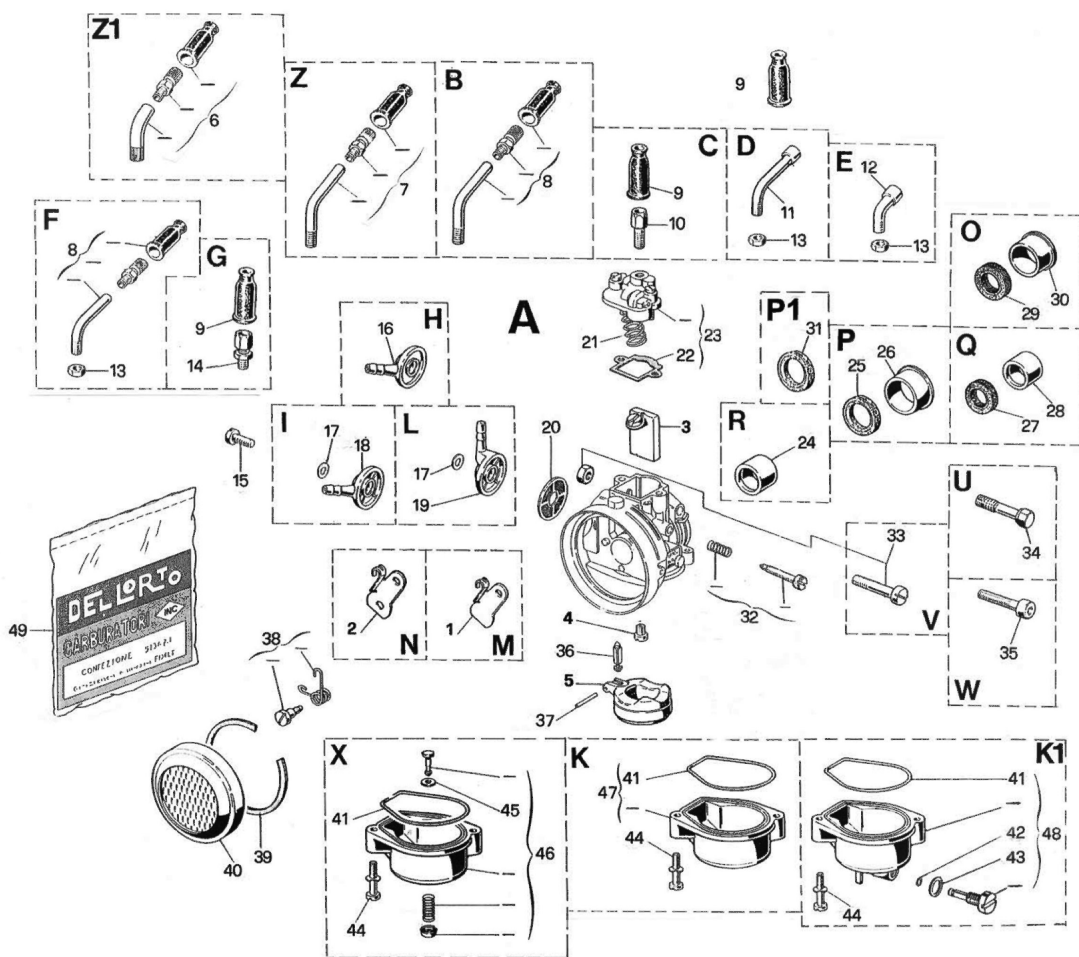


A02045 - 2045 VERG. SHA 15 15 C

ERSATZTEILLISTE VERGASER



N°	Artikelnummer	Beschreibung	Mg.
0	A02045	2045 VERG. SHA 15 15 C	1
1	B10148.050	10148 AIR VALVE 50	1
3	B06108.012	6108 SLIDE 12	1
4	B01486.068	1486 PILOT JET 68	1
5	B06122.002	6122 FLOAT 2 gr. 3,5	1
8	B53036	53036 ELBOW KIT 90° PHBG-PHF-PHM-SHA 14...-15...-16...	1
9	B01476	1476 CAP	2
13	B01691	1691 NUT	1
15	B04190	4190 SCREW	1
17	B52579	52579 GASKET KIT SHA 14...C-H-L-N-P-R-S-15...N-C-G-16...C-G	1
19	B06475	6475 BANJO	1
20	B06109	6109 FUEL FILTER	1
22	B52579	52579 GASKET KIT SHA 14...C-H-L-N-P-R-S-15...N-C-G-16...C-G	1
23	B09604	9604 SLIDE COVER	1
24	B10146	10146 INSULATING ADAPTER	1
25	B52579	52579 GASKET KIT SHA 14...C-H-L-N-P-R-S-15...N-C-G-16...C-G	1
27	B52579	52579 GASKET KIT SHA 14...C-H-L-N-P-R-S-15...N-C-G-16...C-G	1
29	B52579	52579 GASKET KIT SHA 14...C-H-L-N-P-R-S-15...N-C-G-16...C-G	1
31	B52579	52579 GASKET KIT SHA 14...C-H-L-N-P-R-S-15...N-C-G-16...C-G	1
32	B53030	53030 SCREW KIT for SLIDE REG. SHA 10...-12...-13...-14...-1	1
33	B53049	53049 RUBBER SCREW KIT SHA 14-15-16	1
36	B02838	2838 FUEL BLANKING NEEDLE	1
37	B08773	8773 PIN	1
38	B53045	53045 AIR VALVE PIN KIT SHA 14-L-N-R-C-SS...H-15-C-	1
39	B52579	52579 GASKET KIT SHA 14...C-H-L-N-P-R-S-15...N-C-G-16...C-G	1
40	B06117	6117 FILTER GAUZE	1
41	B52579	52579 GASKET KIT SHA 14...C-H-L-N-P-R-S-15...N-C-G-16...C-G	1
42	B52579	52579 GASKET KIT SHA 14...C-H-L-N-P-R-S-15...N-C-G-16...C-G	1
43	B52579	52579 GASKET KIT SHA 14...C-H-L-N-P-R-S-15...N-C-G-16...C-G	1
44	B11837	11837 SCREW	2
45	B52579	52579 GASKET KIT SHA 14...C-H-L-N-P-R-S-15...N-C-G-16...C-G	1
47	B13412	13412 BOWL	1
49	B52579	52579 GASKET KIT SHA 14...C-H-L-N-P-R-S-15...N-C-G-16...C-G	1