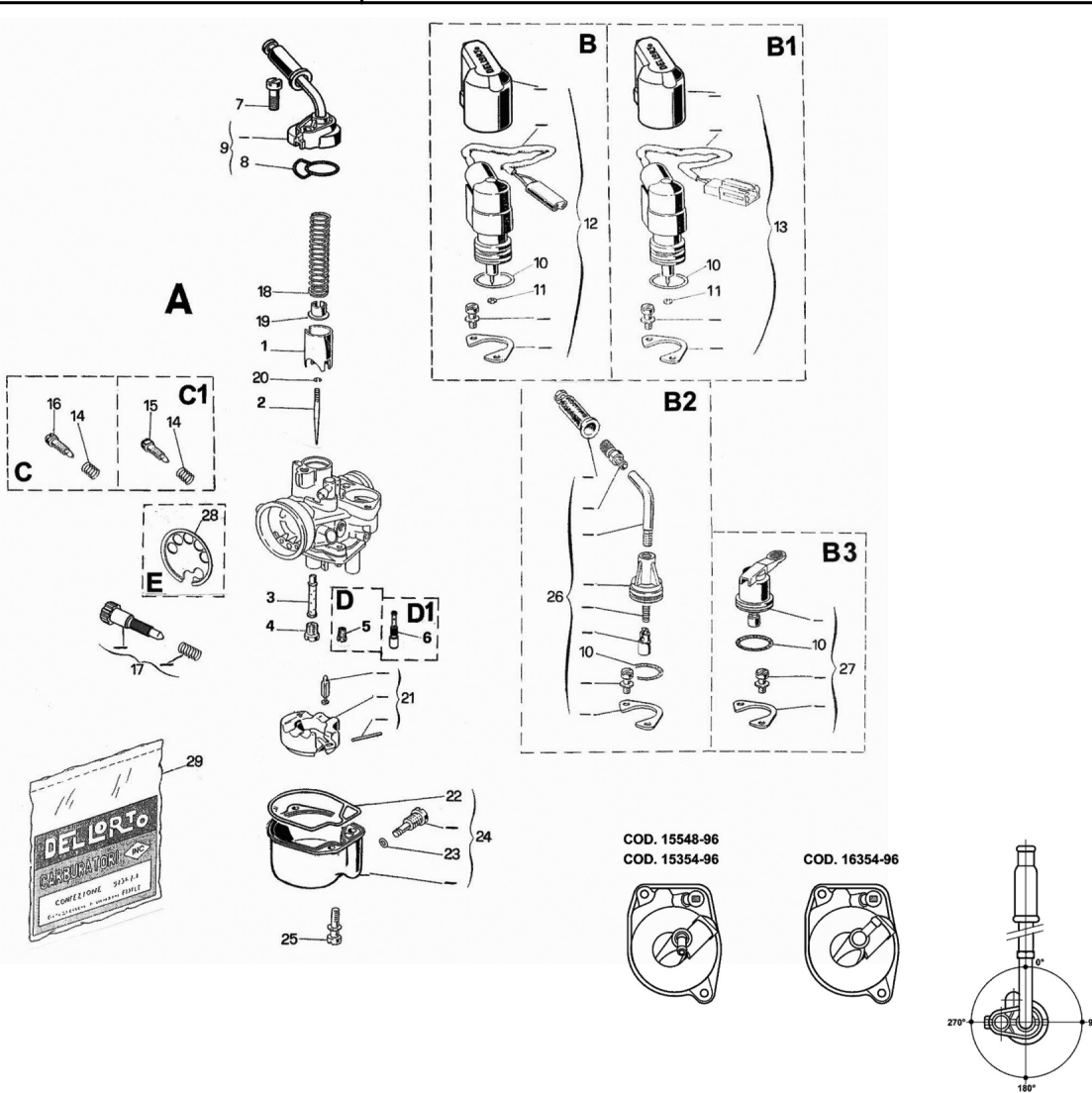


# A08355 - 8355 VERG. PHVA 12 QD

## ERSATZTEILLISTE VERGASER



N°	Artikelnummer	Beschreibung	Mg.
0	<a href="#">A08355</a>	8355 VERG. PHVA 12 QD	1
1	<a href="#">B14230.040</a>	14230 SLIDE 40	1
2	<a href="#">B16250.015</a>	16250 CONICAL NEEDLE A 15	1
3	<a href="#">B14351.209</a>	14351 NEEDLE JET FQ 209	1
4	<a href="#">B06413.066</a>	6413 HAUPTDÜSE 66	1
5	<a href="#">B11600.038</a>	11600 JET 38	1
7	<a href="#">B07526</a>	7526 SCREW	1
9	<a href="#">B14566</a>	14566 SLIDE COVER	1
12	<a href="#">B53078</a>	53078 AUTOMATIC CHOKE KIT PHVA-PHVB	1
17	<a href="#">B53029</a>	53029 SCREW KIT for SLIDE REG. PHVA	1
20	<a href="#">B01411</a>	1411 SPRING	1
21	<a href="#">B53053</a>	53053 FLOAT KIT PHVA-PHBN	1
22	<a href="#">B14130</a>	14130 SCREW	1
24	<a href="#">B15548</a>	15548 BOWL	1
29	<a href="#">B13681</a>	13681 CLIP	1
29	<a href="#">B52622</a>	52622 GASKET KIT PHVA...B-C-D-E-G-H-L	1
33	<a href="#">B13709</a>	13709 SCREW	2