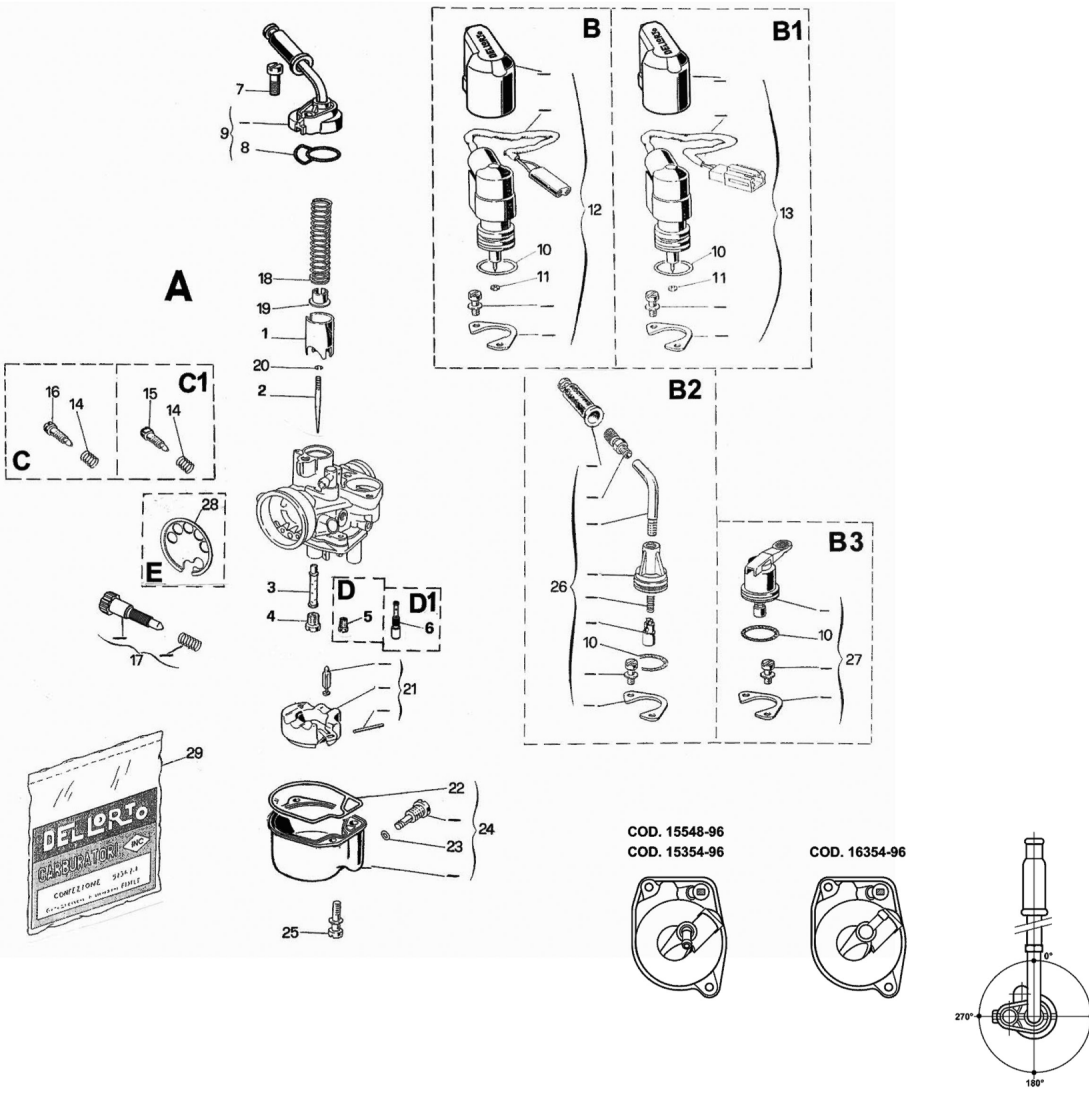


A08408 - 8408 CARB. PHVA 12 QS

CARBURETOR SPARE PARTS FILE



N°	Part Number	Description	Qty
0	A08408	8408 CARB. PHVA 12 QS	1
1	B14230.555	SLIDE	1
2	B16250.555	CONICAL NEEDLE	1
3	B14351.555	NEEDLE JET FQ	1
4	B06413.555	JET	1
5	B11600.555	JET	1
7	B07526	7526 SCREW	1
8	B52622	52622 GASKET KIT PHVA...B-C-D-E-G-H-L	1
10	B52622	52622 GASKET KIT PHVA...B-C-D-E-G-H-L	1
11	B52622	52622 GASKET KIT PHVA...B-C-D-E-G-H-L	1
14	B01411	1411 SPRING	1
16	B14130	14130 SCREW	1
18	B15020	15020 SPRING	1
19	B13687	13687 CLIP	1
20	B13681	13681 CLIP	1
21	B53053	53053 FLOAT KIT PHVA-PHBN	1
22	B52622	52622 GASKET KIT PHVA...B-C-D-E-G-H-L	1
23	B52622	52622 GASKET KIT PHVA...B-C-D-E-G-H-L	1
24	B16354	16354 BOWL	1
25	B13709	13709 SCREW	2
26	B53110	53110 LEVER STARTER KIT	1
29	B52622	52622 GASKET KIT PHVA...B-C-D-E-G-H-L	1