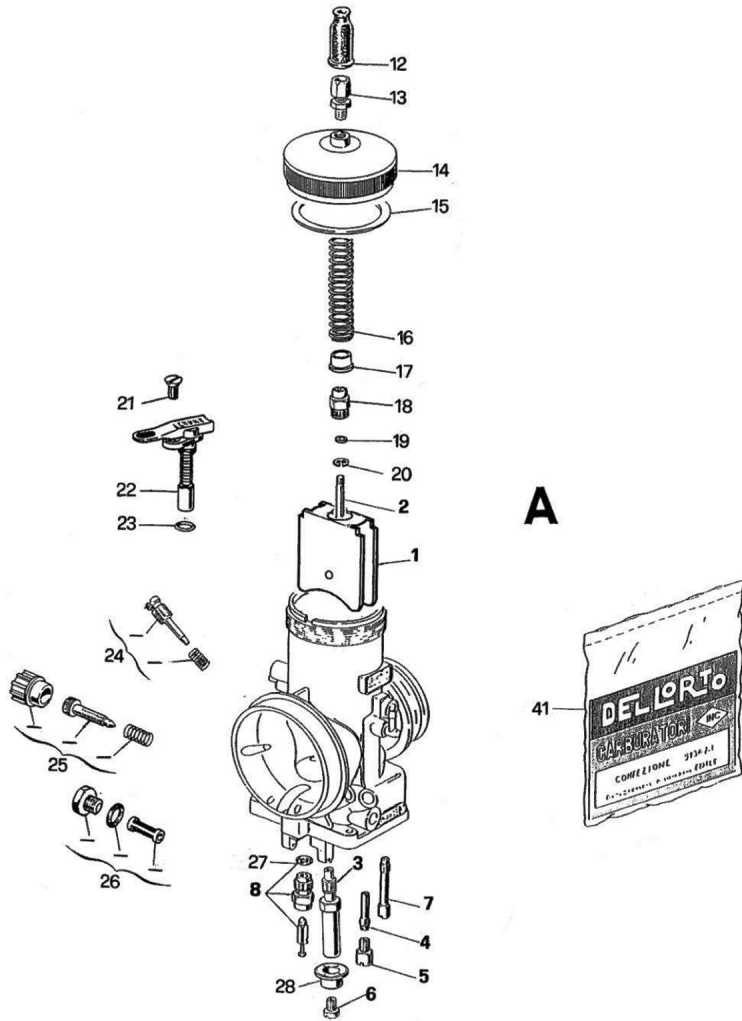


A09304 - 9304 CARB. VHSH 30 CS

CARBURETOR SPARE PARTS FILE



N°	Part Number	Description	Qty
0	A09304	9304 CARB. VHSH 30 CS	1
1	B16565.050	16565 SLIDE 50	1
2	B09713.002	9713 CONICAL NEEDLE U 2	1
3	B12539.268	12539 NEEDLE JET DP 268	1
4	B13086.045	13086 JET 45	1
5	B12995.060	12995 JET 60	1
6	B06413.175	6413 MAIN JET 175	1
8	B08649.300	8649 FLOAT NEEDLE VALVE 300	1
10	B12630.001	12630 FLOAT 1 gr. 9	1
12	B14050	14050 CAP	1
13	B08931	8931 SCREW	1
14	B16309	FUEL MIXING CHAMBER COVER	1
15	B52611	52611 GASKET KIT VHSA...E-F-G-N	1
16	B16344	16344 SPRING	1
17	B14416	14416 BOTTOM PLATE	1
19	B10825	10825 ELASTIC WASHER	1
20	B09596	9596 CLIP	1
21	B11752	11752 SCREW	1
22	B08294	8294 STARTER	1
23	B52611	52611 GASKET KIT VHSA...E-F-G-N	1
24	B53091	53091 AIR ADJUSTING SCREW VHSB	1
25	B53090	53090 SCREW KIT for SLIDE REG. PHSB/VHSBB	1
26	B53089	53089 FUEL FILTER KIT	1
27	B52611	52611 GASKET KIT VHSA...E-F-G-N	1
28	B12546	12546 BOTTOM	1
29	B12692	12692 PIN	1
31	B52611	52611 GASKET KIT VHSA...E-F-G-N	1
34	B14415	14415 BOWL	1
36	B04957	4957 ELASTIC WASHER	3
37	B14858	SCREW	3
39	B52611	52611 GASKET KIT VHSA...E-F-G-N	1
40	B16316	16316 PLUG	1
41	B52611	52611 GASKET KIT VHSA...E-F-G-N	1

